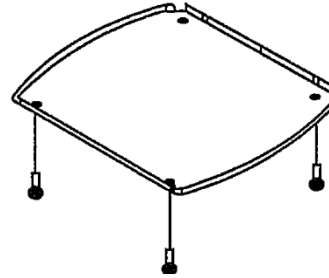


## BASE CABINET (AK-0005) ASSEMBLY INSTRUCTIONS

### Step 1

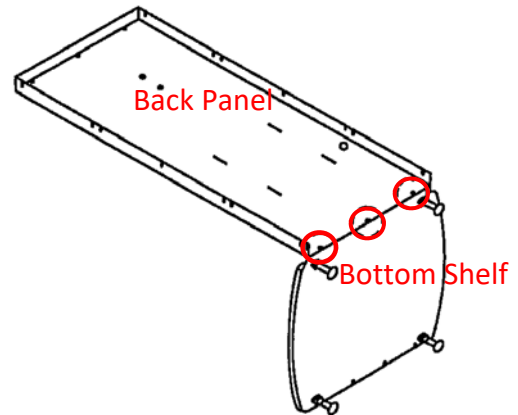
Install Unit Rubber Feed to the Bottom Shelf.



### Step 2

Attach the Back Panel to the Bottom Shelf using 3 of the screws provided.

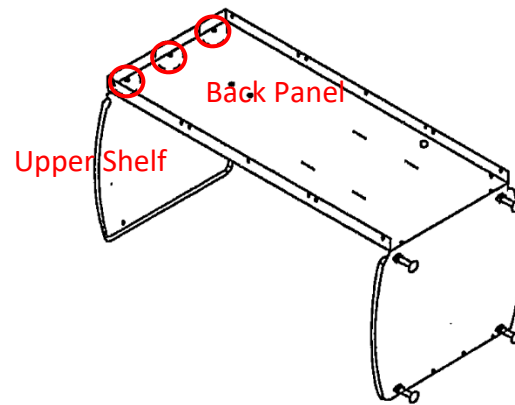
- The back lip of the Bottom Shelf has 3 holes.
- The front lip of the Bottom Shelf has 2 holes.



### Step 3

Attach the Upper Shelf to the Back Panel using 3 screws provided.

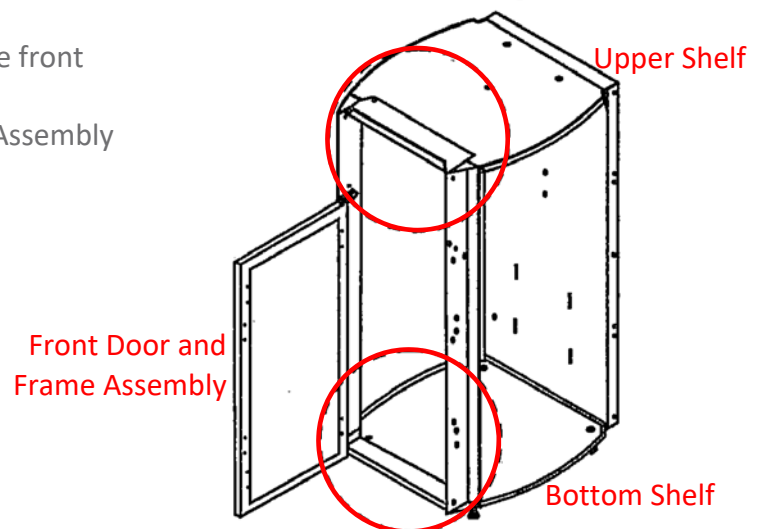
- The back lip of the Upper Shelf has 3 holes.
- The front lip of the Upper Shelf has 2 holes.



### Step 4

Mount the Front Door and Frame Assembly to the front edges of the Upper and Bottom Shelves. Upper and Bottom Shelf edges fit inside of Door Assembly edges.

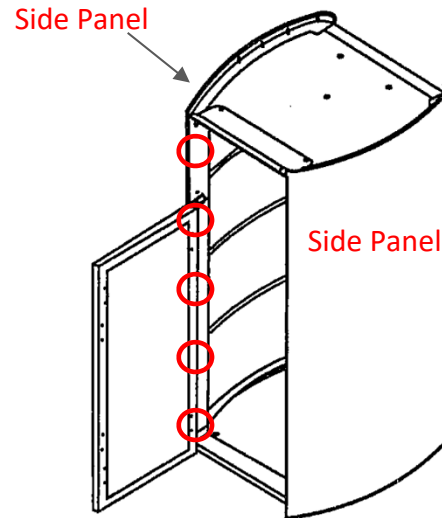
- 5 screws each at front and back edges
- 11 screws per Side Panel



### Step 5

Fasten the Side Panels to the frame.

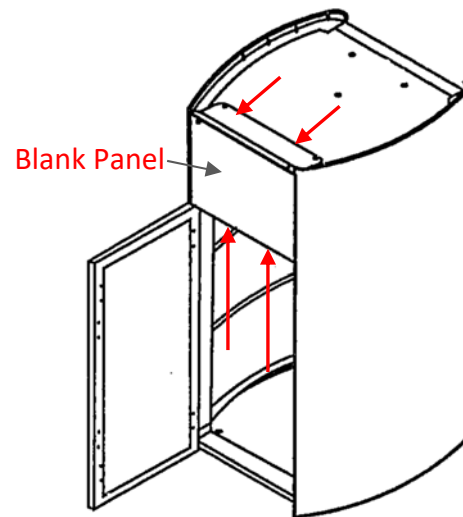
- The Side Panels fit either side, with the sharper curved edge placed toward the rear.
- Align the side Panels using the plastic tabs that protrude through the metal frame.



### Step 6 - Front Panel Assembly Installation Assembly

*Skip this step if the optional Cup Holder will be installed*

- Attach the Blank Panel using 4 screws provided.

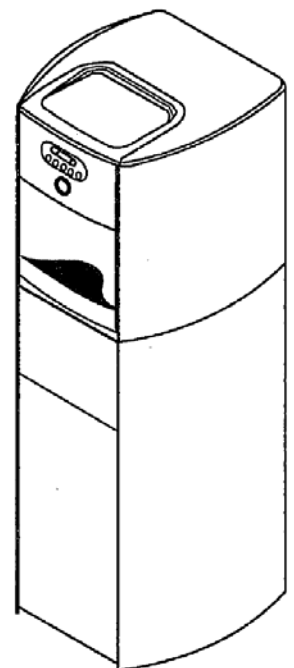


**⚠ WARNING! DISPENSER COULD TIP OR FALL.** Install unit on a firm, flat, and level surface and secure the **WL500 Water Treatment System** to the Base Cabinet with the Safety Screw (aka Lock Screw) provided to lock the components together. Never place heavy items on top of unit and never climb, stand, or hang on unit or storage cabinet to prevent injury and damage.

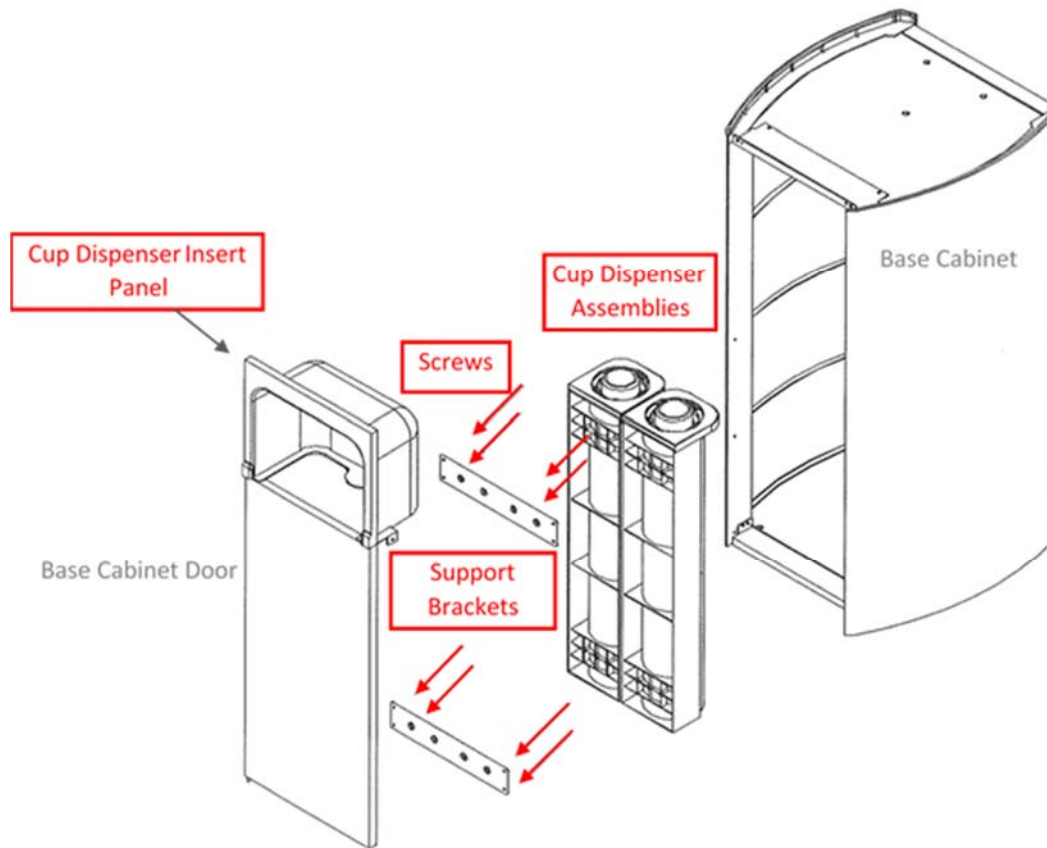
### Step 7

Locate and align the **WL500 Water Treatment System** on top of the Base Cabinet.

- Lock together using the safety bolt (aka locking bolt) provided.



## WL500 CUP DISPENSER (AK-0007) DRAWING AND ASSEMBLY INSTRUCTIONS



### Step 1

Fasten Support Brackets to the back-side of the cup holders as shown with the 8 screws provided.

### Step 2

Fasten the Cup Dispenser Insert Panel into the Base Cabinet.

*Note: This will require maneuvering of the Insert Panel for proper alignment. Take care not to break the plastic tabs on the Insert Panel.*

### Step 3

Fasten the Cup Holder Assemblies to the Base Cabinet Door.

#### Cup Dispenser Kit AK-0007 Contents:

- Cup Dispenser Insert Panel
- (2) Support Brackets
- (2) Cup Dispenser Assemblies
- (8) Screws

#### Cup Dispenser Specifications

- Accepts cups from 4 oz. to 14 oz.
- Cup Opening Minimum Diameter is 2 ½" (66 mm)
- Cup Opening Maximum Diameter is 3 ¼" (84 mm)