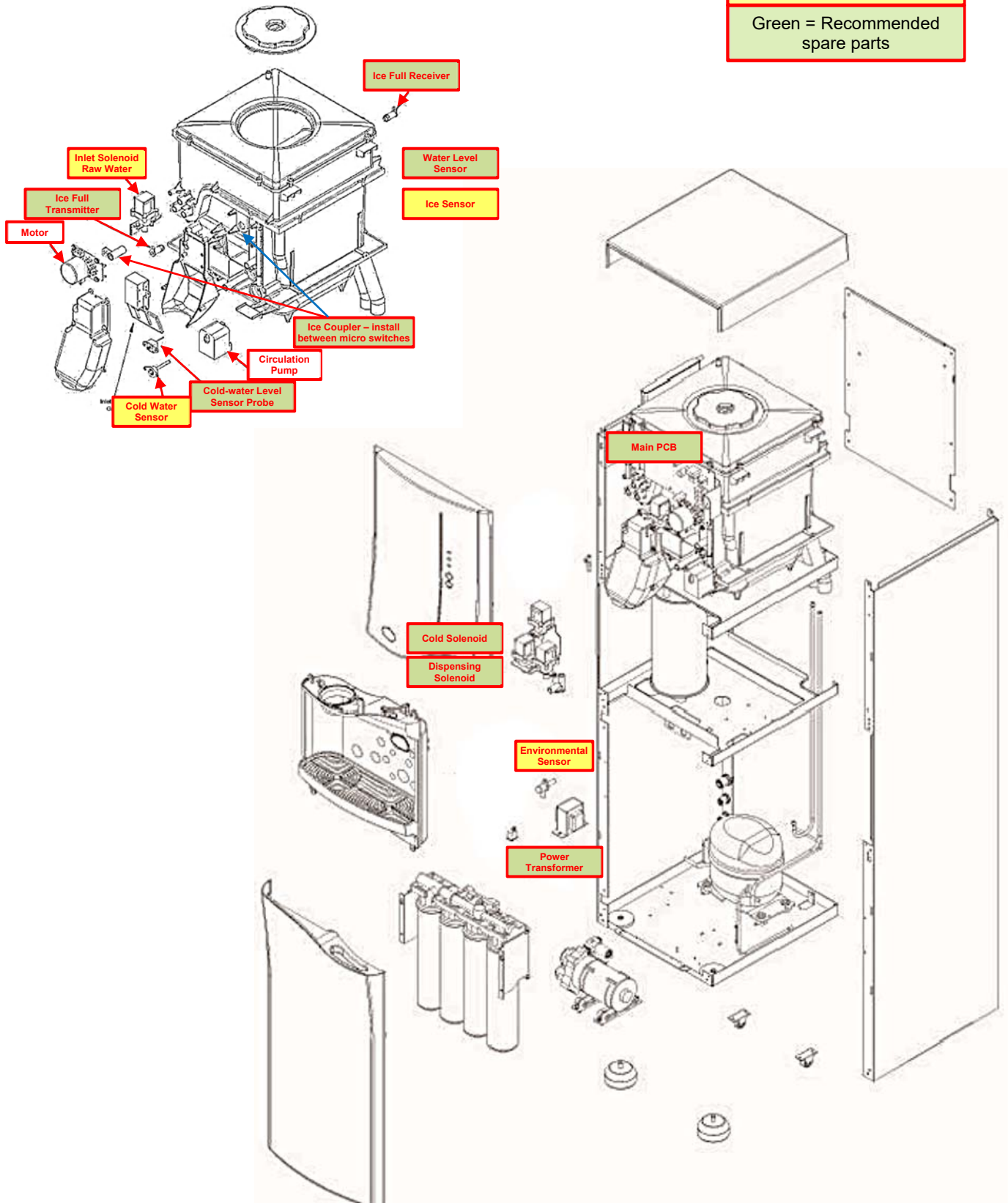
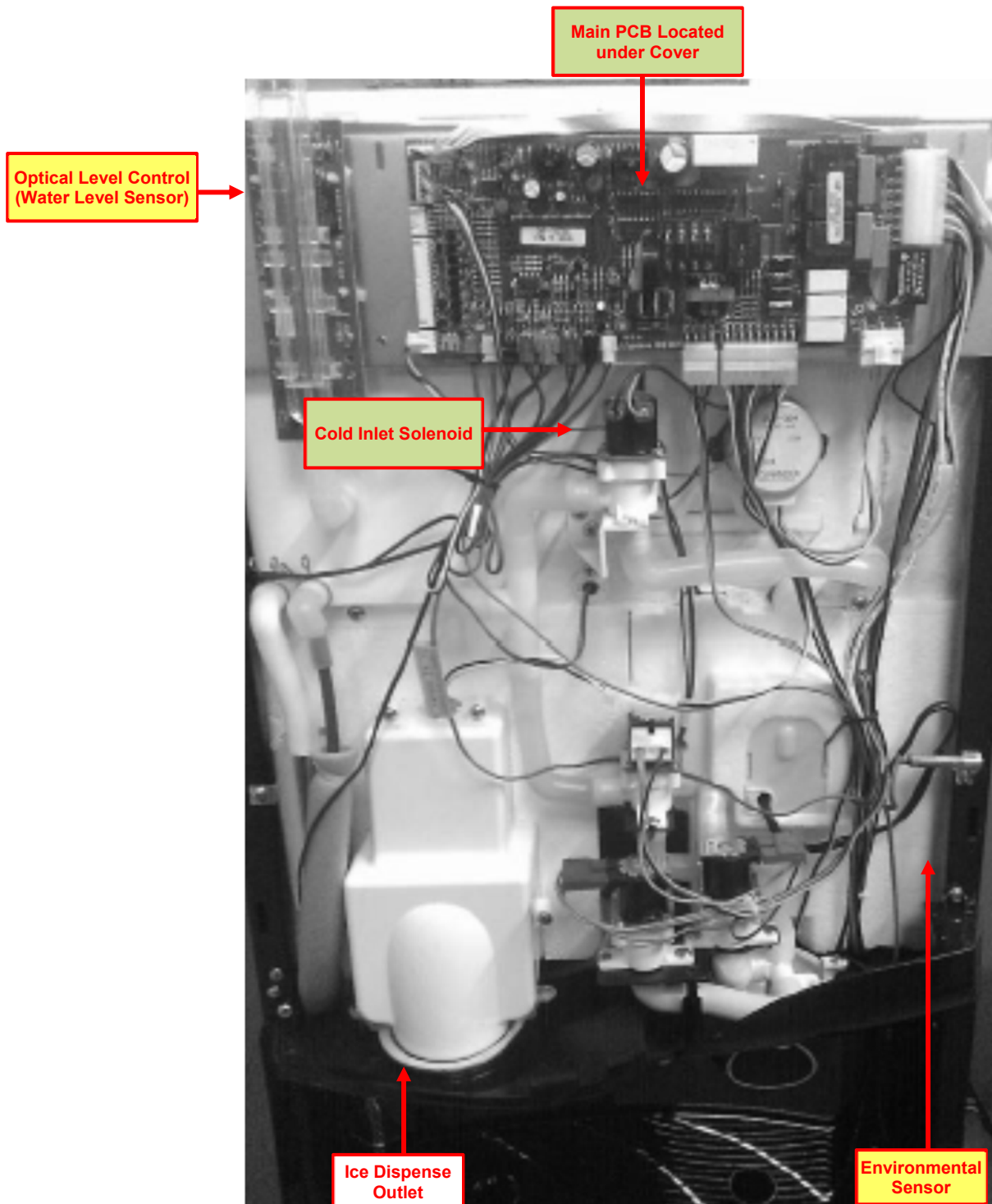


CONSUMABLES AND RECOMMENDED SPARE PARTS DRAWINGS

Yellow = Consumables
Green = Recommended spare parts





CONSUMABLES AND RECOMMENDED SPARE PARTS DRAWINGS



REPLACEMENT COMPONENTS (CONSUMABLES)

Component	Part No.	Frequency of Replacement	Stocked?	
Sediment Filter	21-1200	Every 6-12 months or as required.	Yes	
Pre-Carbon Filter	21-1205	Every 12 months or as required.	Yes	
Post-Carbon Filter	21-1215	Every 12 months or as required.	Yes	
Membranes – requires 2 each	21-1210	Inspect every 12 months and replace if needed. At the least membranes should be replaced every 24 months.	Yes	
Cold Sensor Probe	21-1030	Every 12 months or as required.	Yes	
Ice Sensor	21-1040	Every 12 months or as required.	Yes	
Environmental Sensor	21-1045	Every 12 months or as required. <i>*For serial numbers between Z-10064 to Z-10368 Mfg. P/N: 45-0022-0</i>	Yes	
Environmental Sensor	TBD	Every 12 months or as required. <i>*For serial numbers after Z-10369. Mfg. P/N: 41-1354-0</i>	Yes	
Wire from Main PCB to Environmental Sensor	TBD	Every 12 months or as required. <i>*Use this P/N for serial numbers after Z-10369. Mfg. P/N 41-1349-0</i>	Yes	
Inlet Solenoid (SV Raw Water)	21-1095	Every 12 months or as required.	Yes	

RECOMMENDED SPARE PARTS

Component	Part No.	Stocked?	
Filter O-ring	21-1275	Yes	
Power Transformer	21-1090	Yes	
Ice Coupler	21-1050	Yes	
Optical Level Control (Water Level Sensor)	21-1085	Yes	
Main Printed Circuit Board (PCB) <i>*For for serial numbers between Z-10064 to Z-10368</i>	21-1070	Yes	
Main Printed Circuit Board (PCB) <i>*Use this P/N for serial numbers after Z-10369.</i>	TBD	Yes	
Cold Solenoid (SV)	21-1105	Yes	
Dispensing Solenoid (SV)	21-1110	Yes	
Ice Full – Transmitter	21-1020	Yes	
Ice Full – Receiver	21-1025	Yes	
Cold-water Level Sensor (Probe)	21-1250	Yes	
Front Panel Programming Sticker	21-1280	Yes	

Replacement and recommended spare parts can be obtained from *Waterlogic* or an *Authorized Waterlogic Dealer*.

NOTE:

At the **end of this product's life**, ensure that it is disposed of in an environmentally friendly manner which is fully compliant with all Federal/State/Local Requirements and Guidelines.