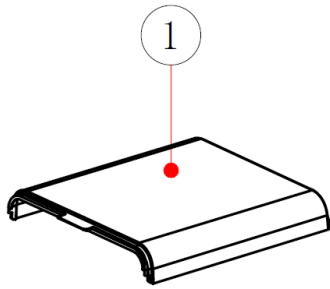
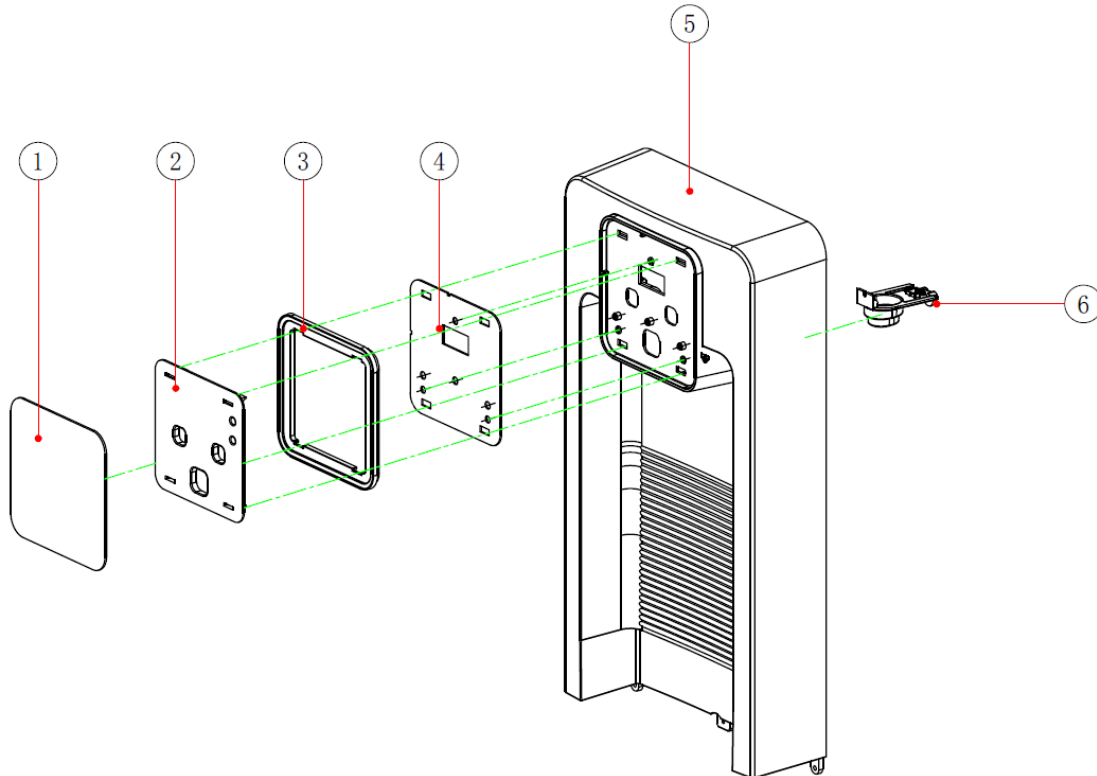


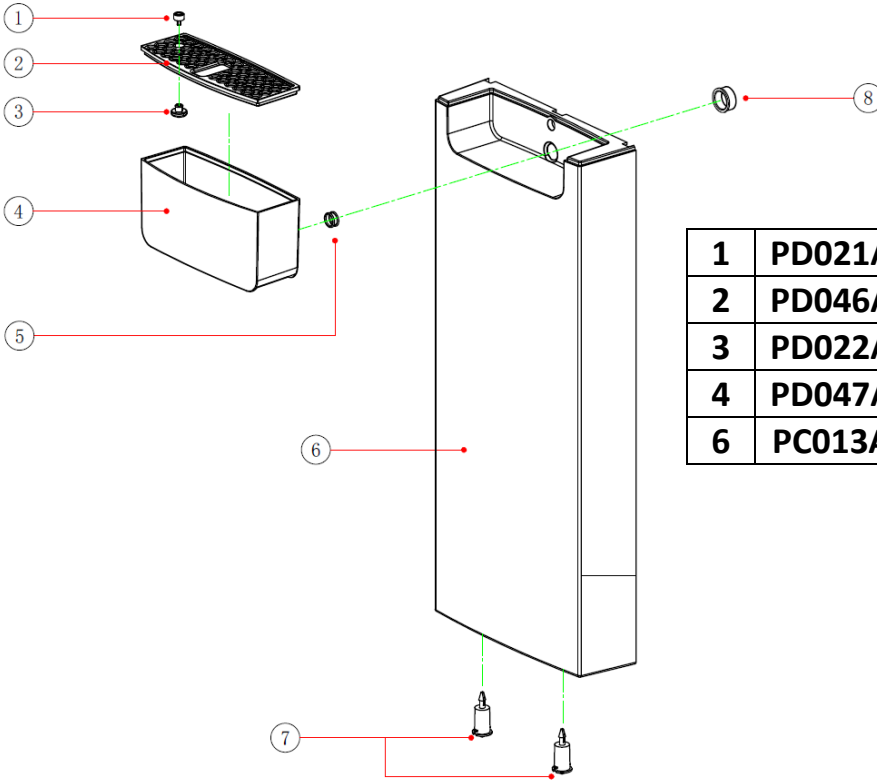
## WL30-RO PARTS DIAGRAM



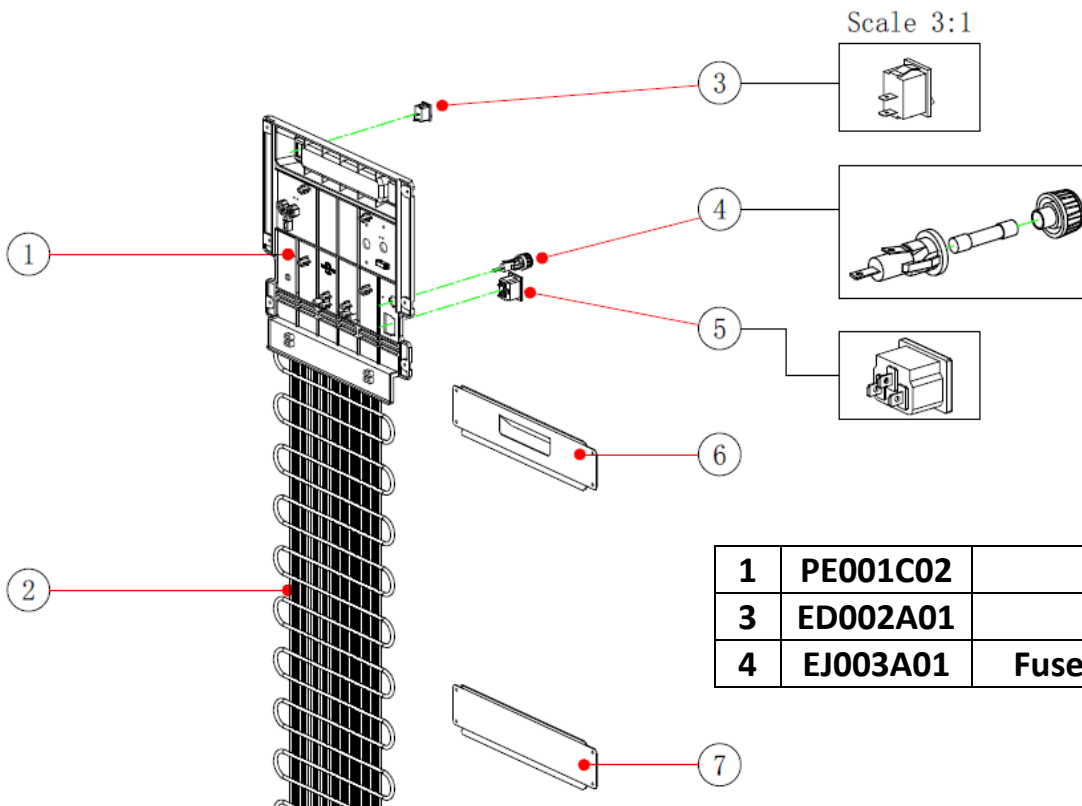
<b>1</b>	<b>PA018A01</b>	<b>Top Lid</b>
----------	-----------------	----------------



<b>1</b>	<b>PH044A01</b>	<b>Face Plate WL30</b>
<b>4</b>	<b>EB083A01</b>	<b>Front LED PCB</b>
<b>5</b>	<b>PB036A01</b>	<b>Upper Front Panel</b>
<b>6</b>	<b>PK128A01</b>	<b>Dispense Cover</b>

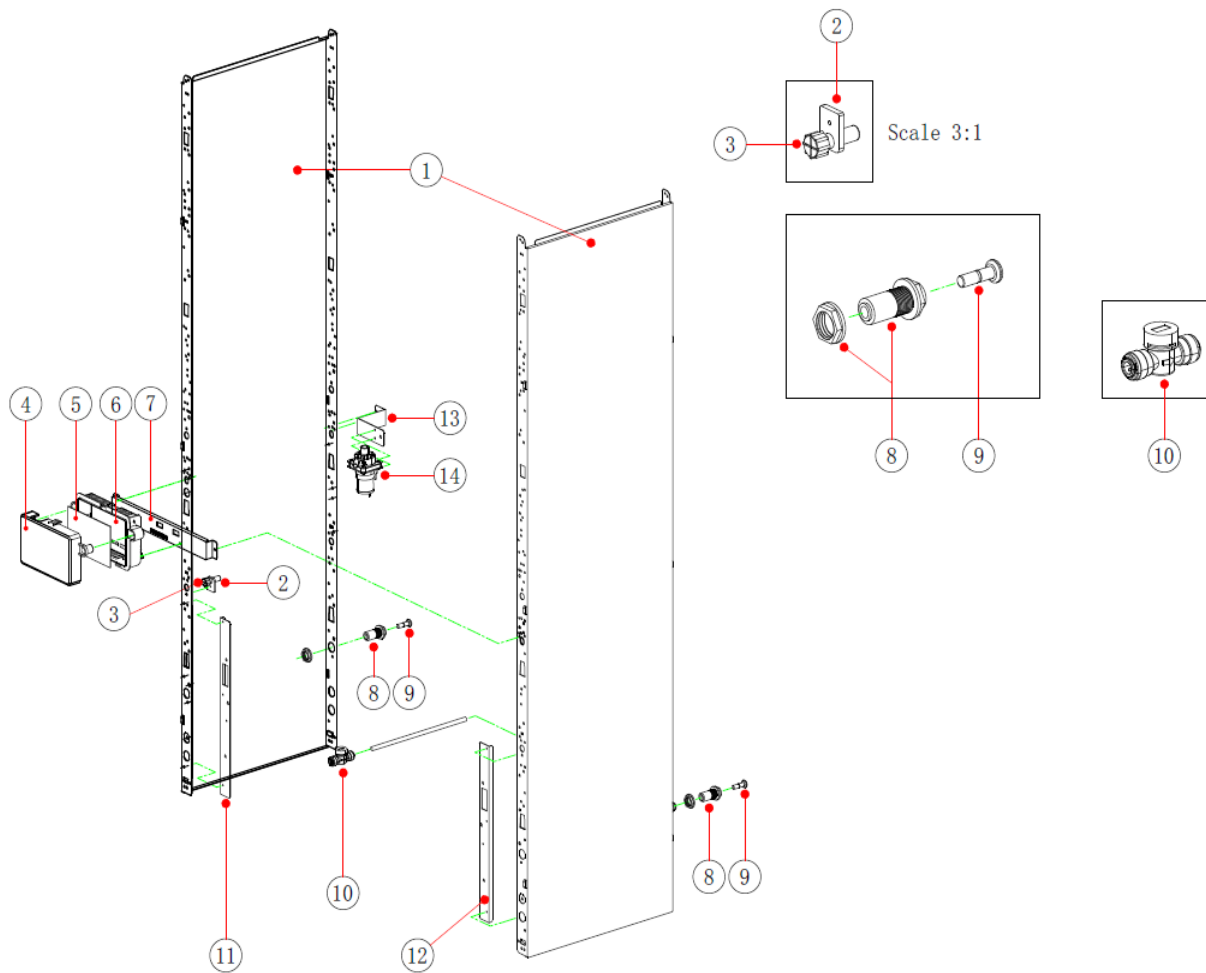


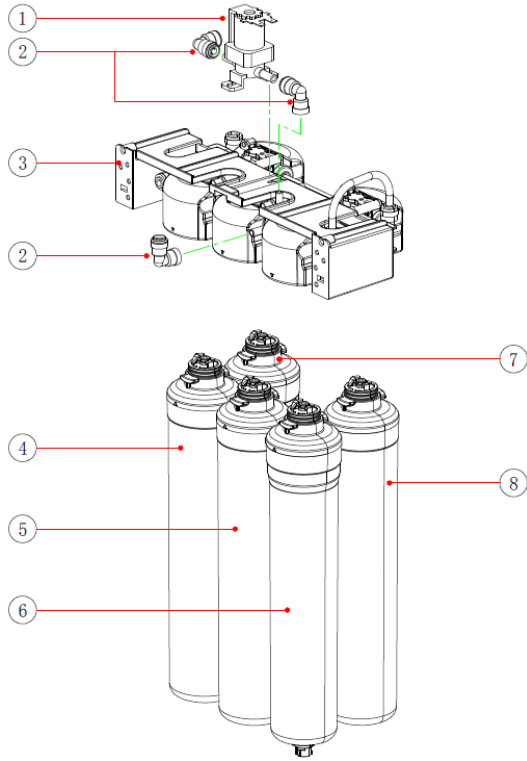
1	PD021A01	Drip Tray Float Cover
2	PD046A01	Drip Tray Grill
3	PD022A01	Drip Tray Float
4	PD047A01	Drip Tray
6	PC013A01	Lower Front Panel



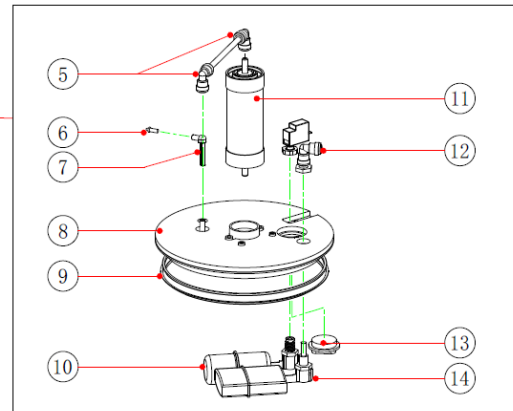
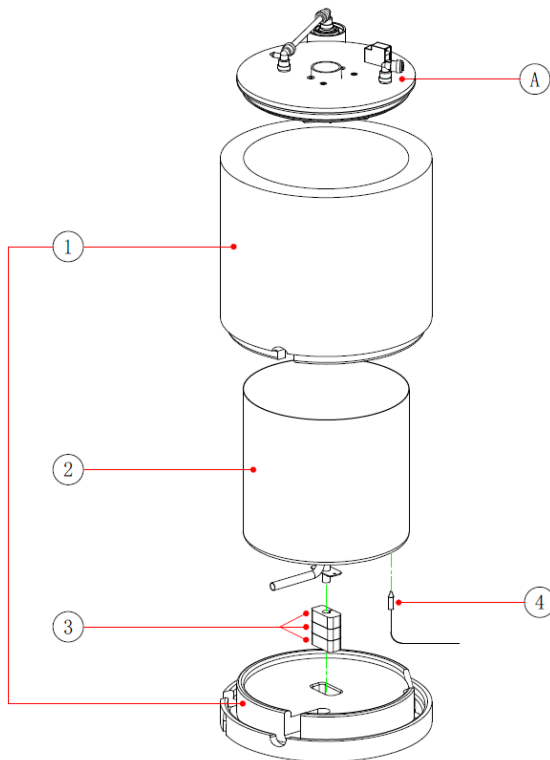
1	PE001C02	Rear Panel
3	ED002A01	Hot Switch
4	EJ003A01	Fuse Housing & Cap

1	IA001D01	Side Panel
2	PK063A01	Drain Valve Body
3	PK063B01	Drain Valve Cap
4	PK071A01	PCB Case Top
5	EB085A01	Main PCB
6	PK070A01	PCB Case Bottom
8	PF003A01	Bulkhead Fitting
14	EE011A01	Hot Water Pump

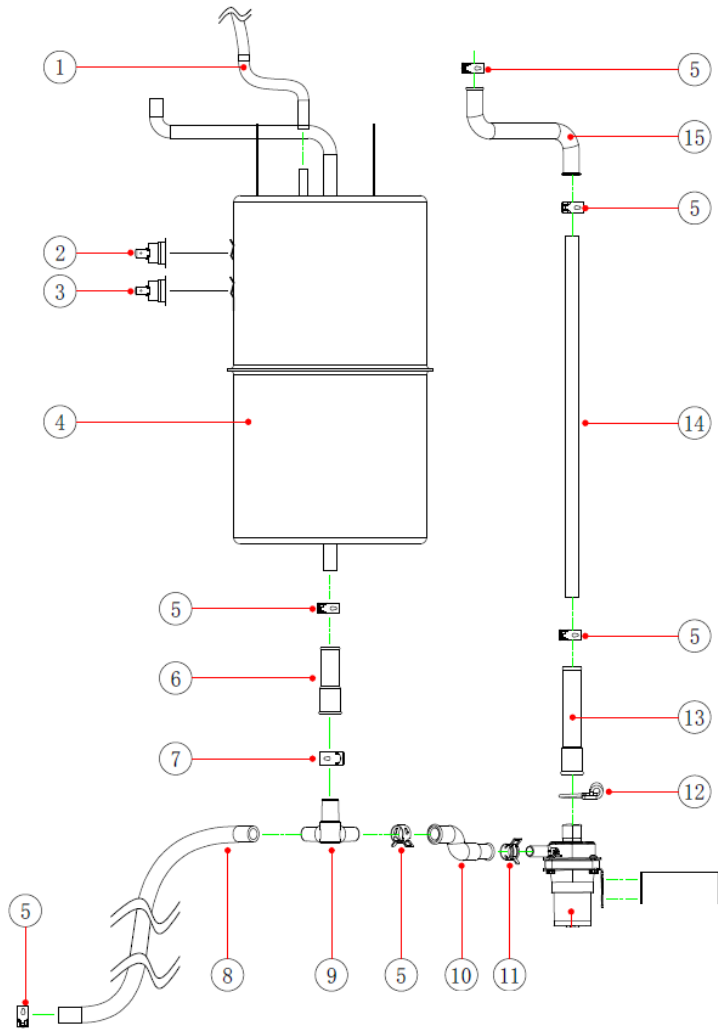




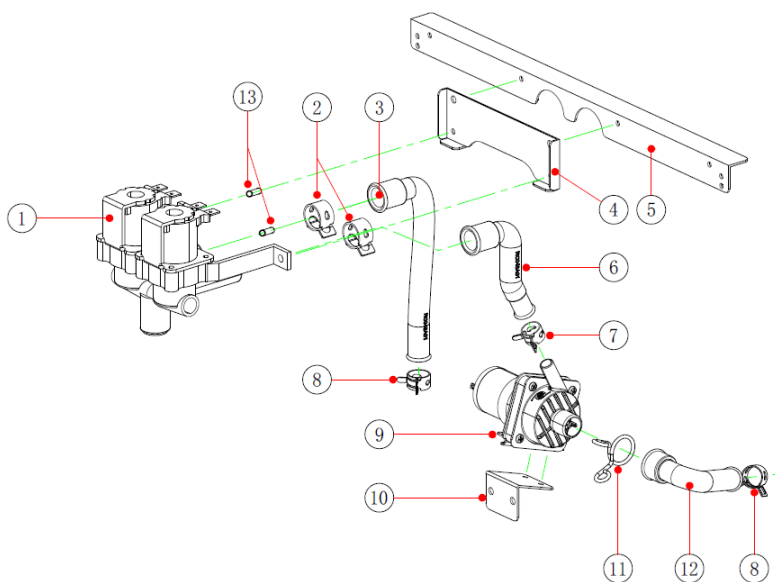
<b>1</b>	<b>EC001A01</b>	<b>S/V High Pressure</b>
<b>3</b>	<b>FL003A01</b>	<b>QC Filter Head Assy</b>
<b>4</b>	<b>WL-QC1</b>	<b>Sediment Filter</b>
<b>5</b>	<b>WL-QC2</b>	<b>Pre-Carbon Filter</b>
<b>6</b>	<b>WL-QC3R</b>	<b>RO(80gpd) Filter</b>
<b>7</b>	<b>WT-QC5</b>	<b>Post Carbon Filter</b>
<b>8</b>	<b>WL-QC4R</b>	<b>Mineral Add-Back Filter</b>



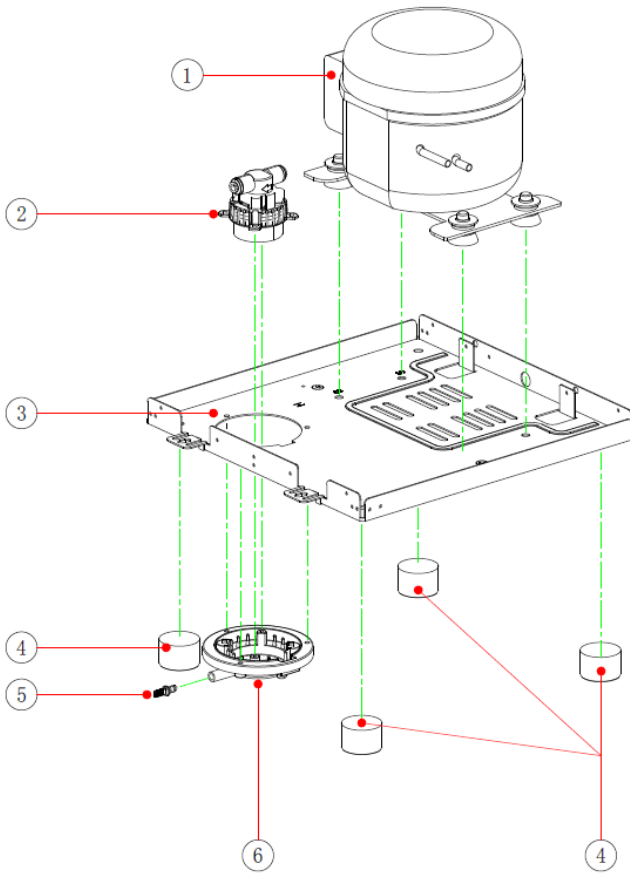
<b>4</b>	<b>EF014A01</b>	<b>Cold Tank Thermostat</b>
<b>8</b>	<b>PG035A01</b>	<b>Cold Tank Lid</b>
<b>10</b>	<b>PF074A01</b>	<b>Micro Float</b>
<b>11</b>	<b>AF</b>	<b>Air Filter</b>
<b>13</b>	<b>EH005A01</b>	<b>UV LED</b>
<b>14</b>	<b>PF073A01</b>	<b>Float</b>



4	TB021A01	Hot Tank
6	RC006K01	Hot Inlet Silicone
8	RB002K01	Drain Hose
10	RC036K01	Pump to Hot Silicone
15	RC039K01	Hot Pump Silicone
17	RC037A01	Cold to Hot Silicone



1	EC011A01	Dispense Solenoid
3	RC049K01	Hot Valve Silicone
6	RC048K01	Cold Valve Silicone
9	EE011A01	Cold Water Pump
12	RC033K01	Cold Water Outlet Silicone



2	11-1546-1	Leak Stop
4	PK113A01	Foot
5	RC043K01	Leak Tray Plug

## WL30-RO WATER FLOW DIAGRAM (RO CONFIG)

