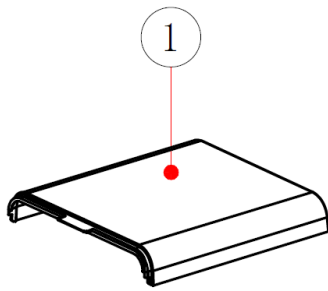
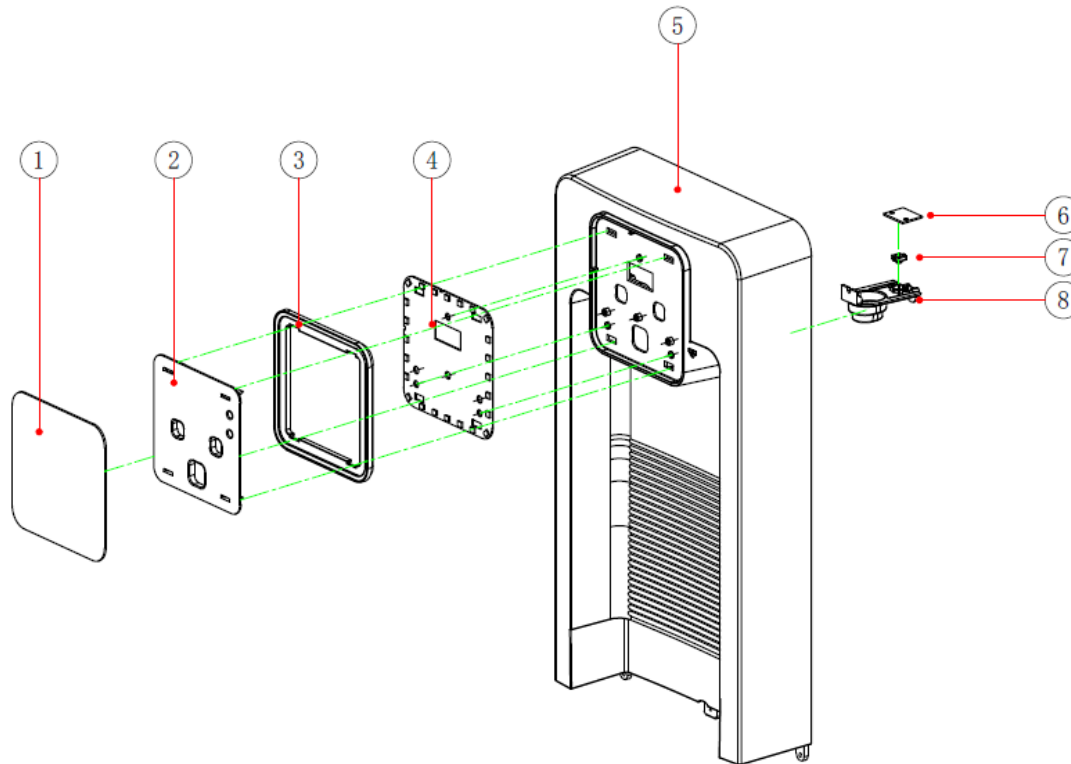


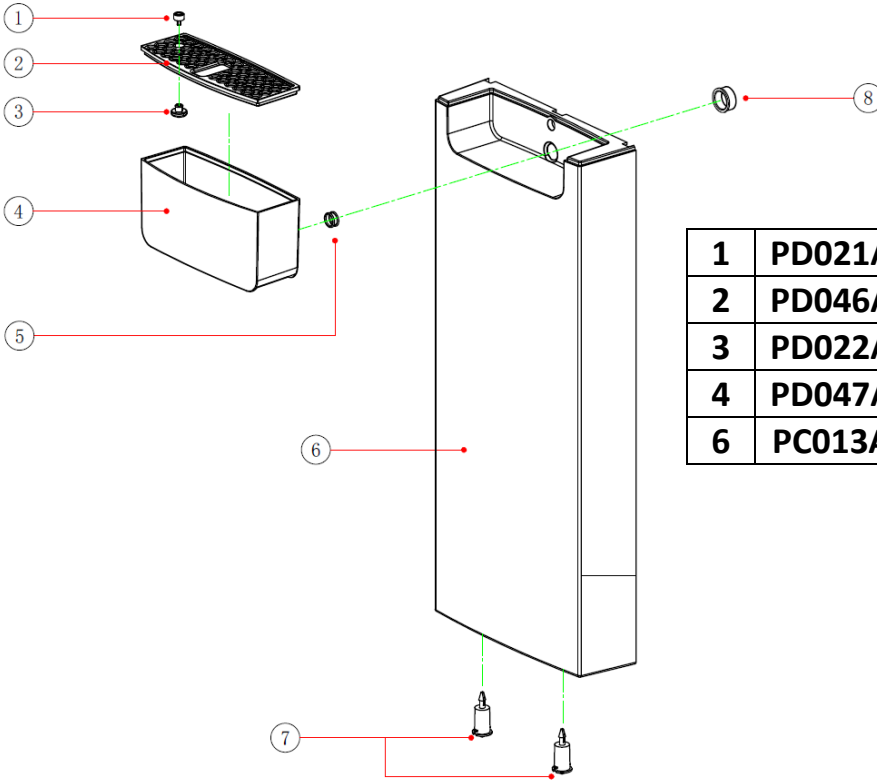
WL50-M PARTS DIAGRAM



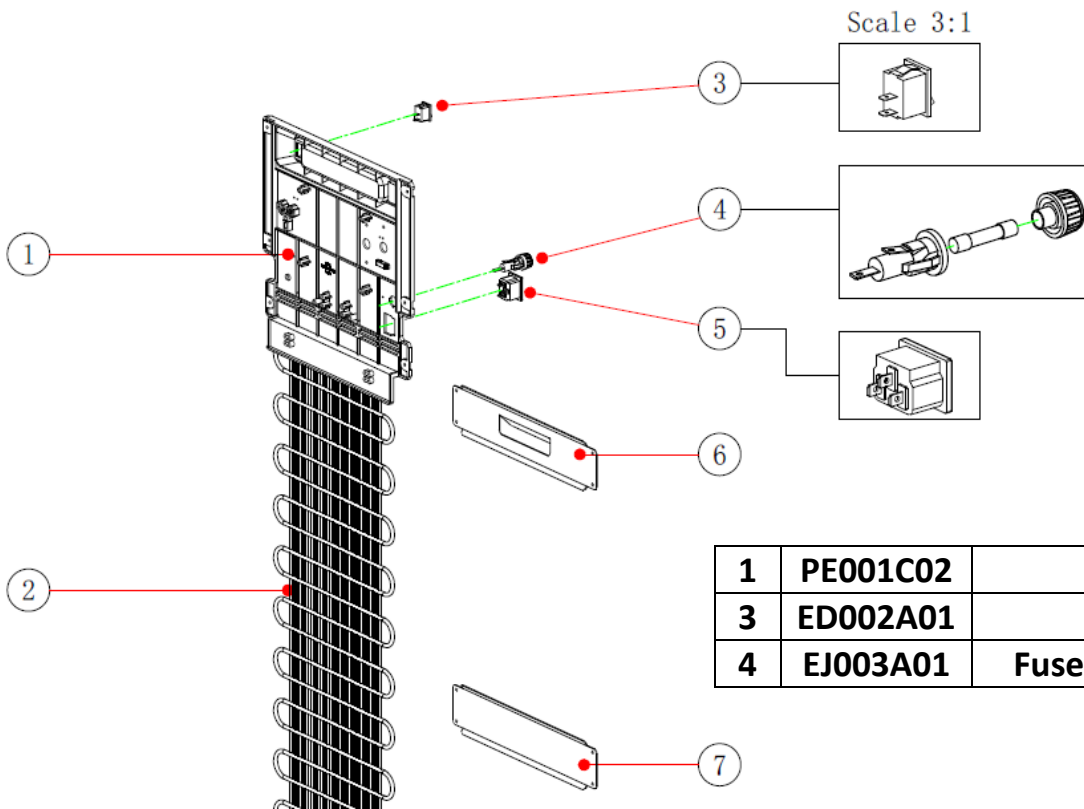
1	PA016A01	Top Lid
----------	-----------------	----------------



1	PH043A01	Face Plate
4	EB083A01	Front LED PCB
5	PB036A01	Upper Front Panel
6	EB084A01	Dispense LED PCB
8	PK128A01	Dispense Cover

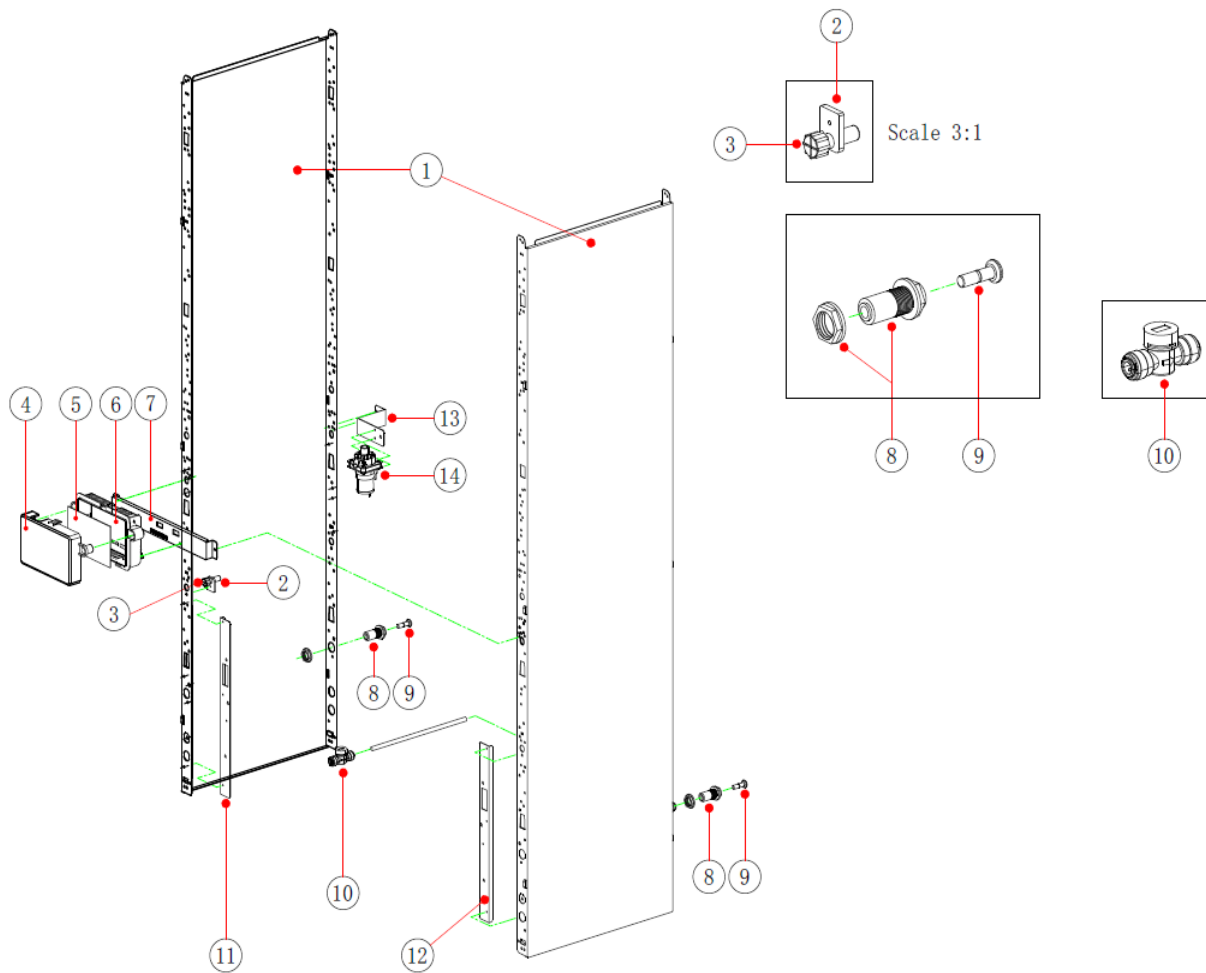


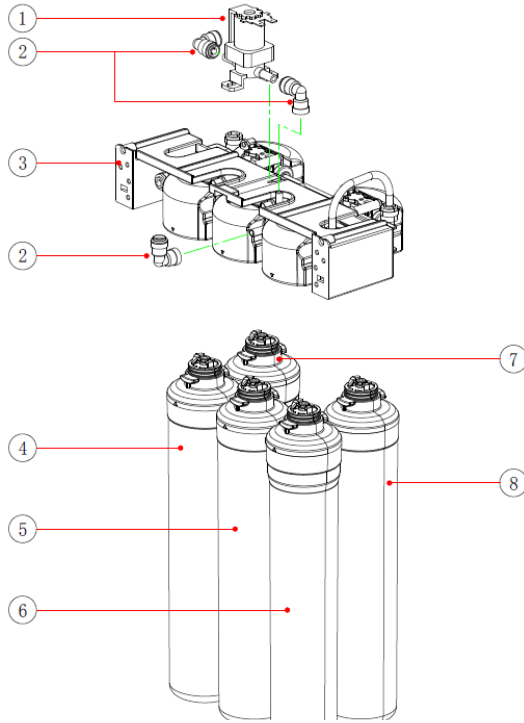
1	PD021A01	Drip Tray Float Cover
2	PD046A01	Drip Tray Grill
3	PD022A01	Drip Tray Float
4	PD047A01	Drip Tray
6	PC013A01	Lower Front Panel



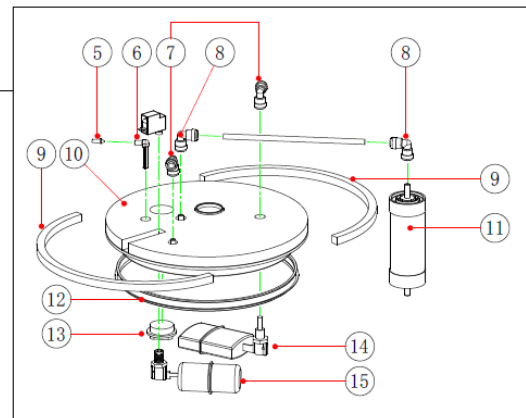
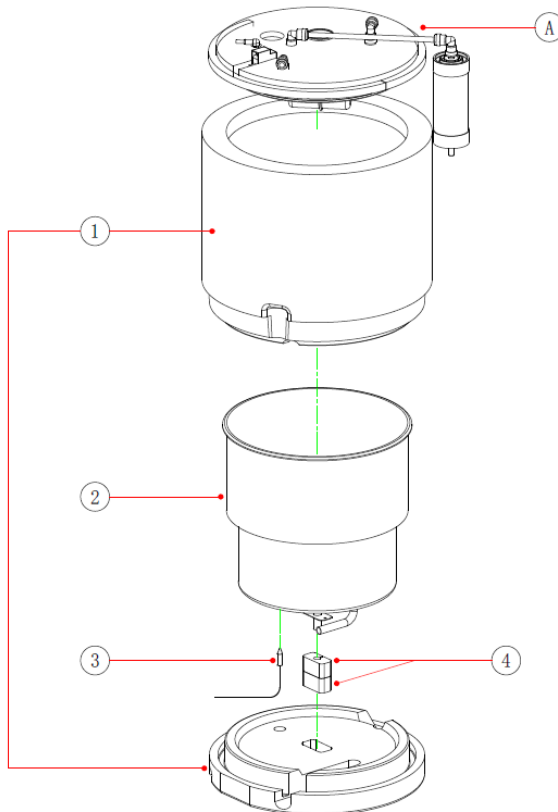
1	PE001C02	Rear Panel
3	ED002A01	Hot Switch
4	EJ003A01	Fuse Housing & Cap

1	IA001D01	Side Panel
2	PK063A01	Drain Valve Body
3	PK063B01	Drain Valve Cap
4	PK071A01	PCB Case Top
5	EB085A01	Main PCB
6	PK070A01	PCB Case Bottom
8	PF003A01	Bulkhead Fitting
14	EE011A01	Hot Water Pump

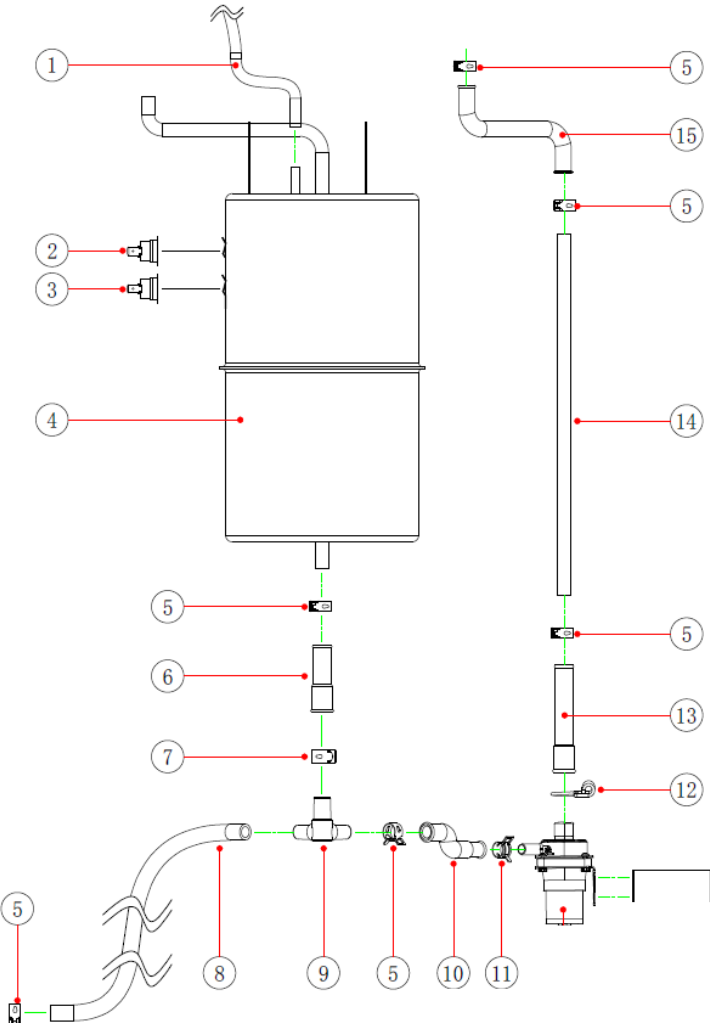




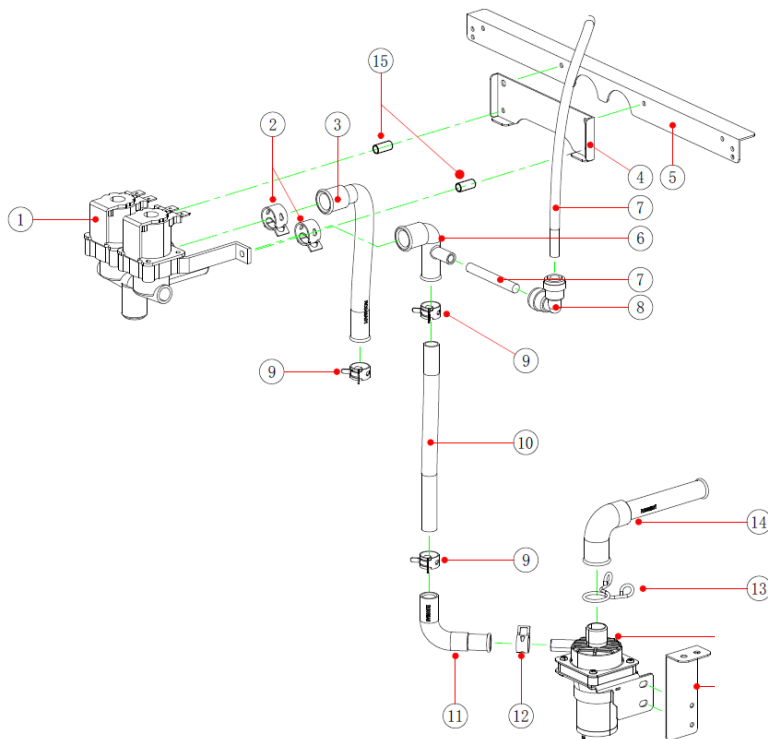
1	EC001A01	S/V High Pressure
3	FL003A01	QC Filter Head Assy
4	WLPS-12	Sediment Filter
5	WLPC-12	Pre-Carbon Filter
6	WLRO-12	RO(80gpd) Filter
7	WTCR-12	Post Carbon Filter
8	WLMINRO-12	Mineral Add-Back Filter



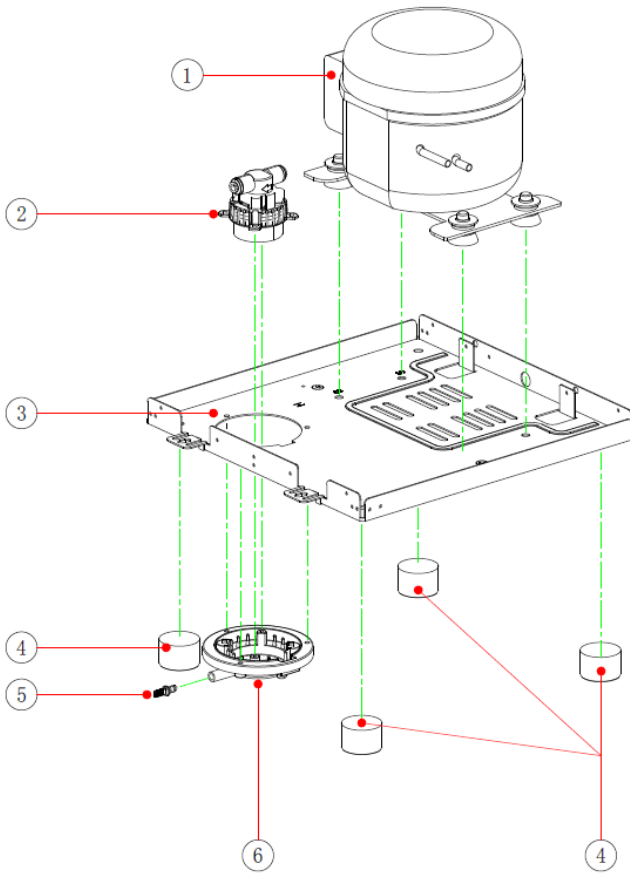
3	EF014A01	Cold Tank Thermostat
10	PG036A01	Cold Tank Lid
11	AF	Air Filter
13	EH005A01	UV LED
14	PF073A01	Float
15	PF074A01	Micro Float



4	TB022A01	Hot Tank
6	RC006K01	Hot Inlet Silicone
8	RB004K01	Drain Hose
10	RC036K01	Pump to Hot Silicone
13	RC039K01	Hot Pump Silicone
15	RC037A01	Cold to Hot Silicone

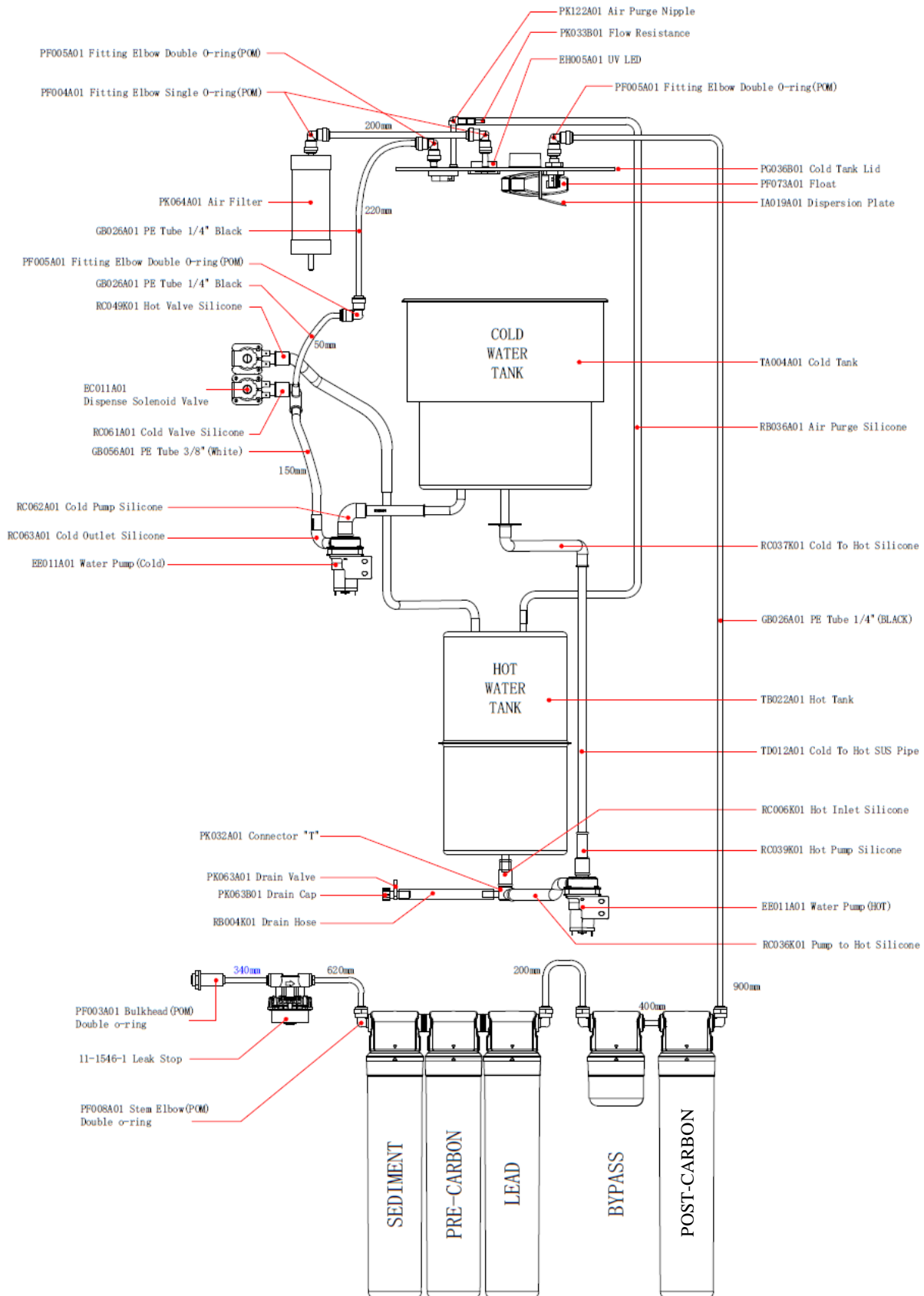


1	EC011A01	Dispense Solenoid
3	RC049K01	Hot Valve Silicone
6	RC061A01	Cold Valve Silicone
11	RC063A01	Cold Water Outlet Silicone
14	RC062A01	Cold Pump Silicone



2	11-1546-1	Leak Stop
4	PK113A01	Foot
5	RC043K01	Leak Tray Plug

WL50-M WATER FLOW DIAGRAM (RO CONFIG)



WL50-M ELECTRICAL DIAGRAM

⚠ DANGER! HIGH VOLTAGE ELECTRICAL HAZARD. PCB (Printed Circuit Board) contains High Voltage. Only trained and qualified technicians should attempt live testing.

